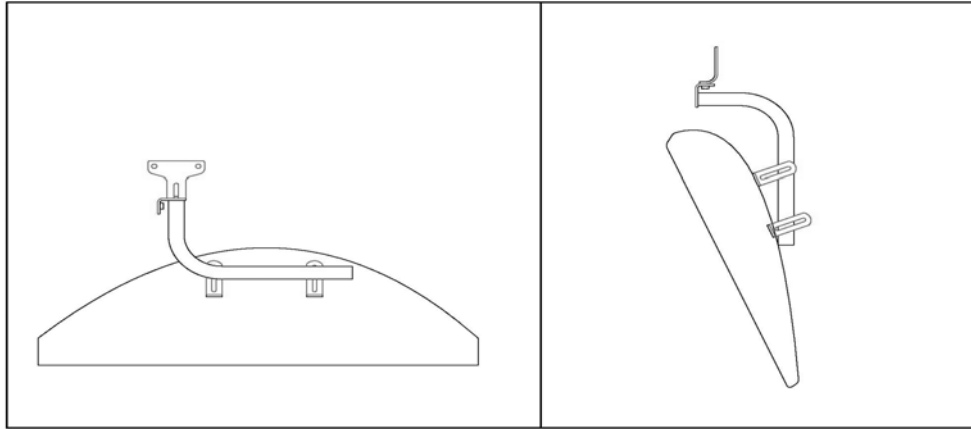


# Installation Instructions For Sun Shade Mounting Bracket Part No. 302042170



Brackets can be mounted on top or inside fenders.

Note: Brackets are packed pre-assembled as same side, adjustments will need to be made, loosening hardware may be required.

( Note: Assembly drawing on back)

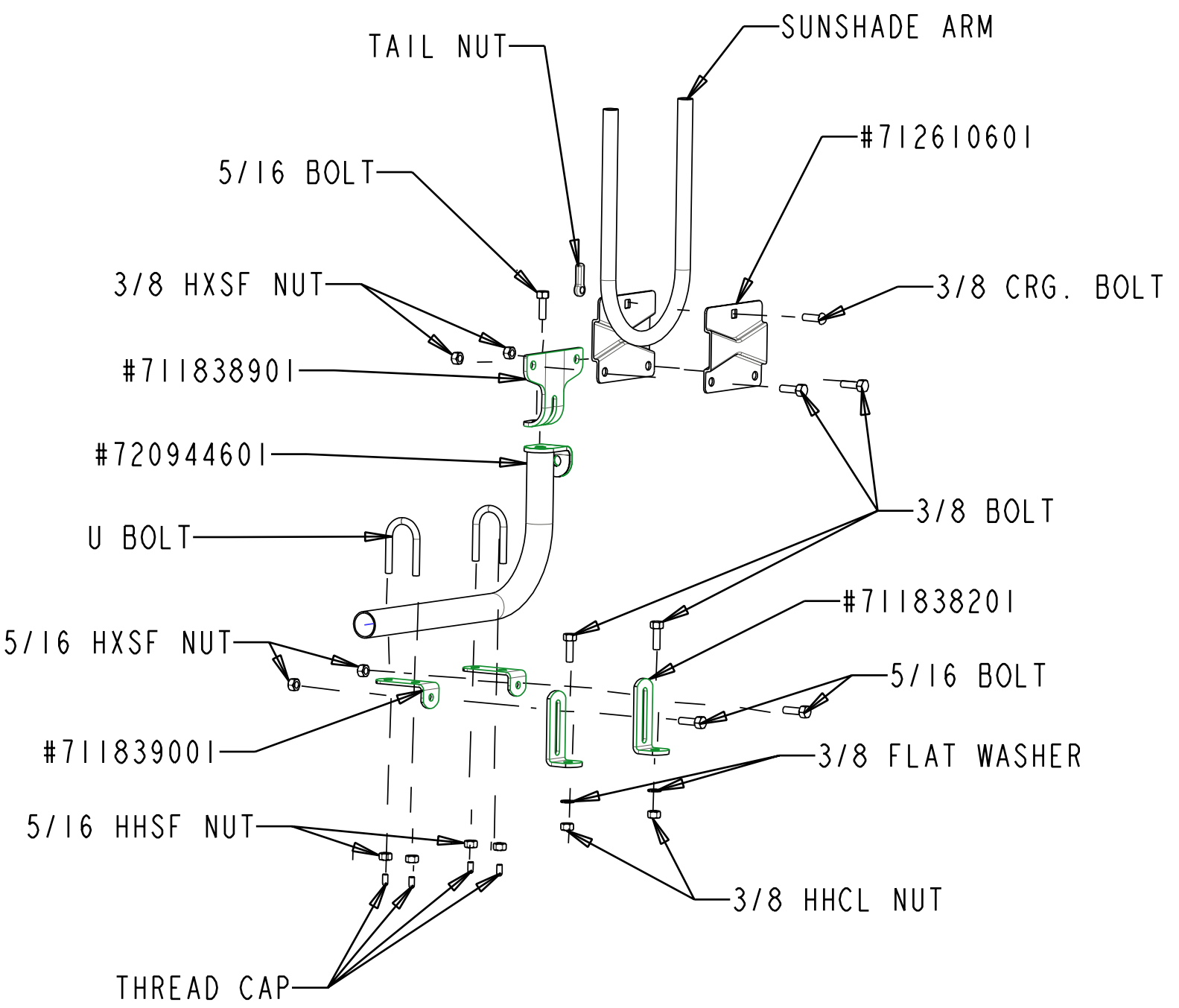
## PARTS LIST

<u>ITEM</u>	<u>QTY.</u>
Tail nut	2
Thread Caps	4
3/8" - 16 x 1 1/2 CRG Bolt	2
3/8" - 16 x 1 HHSF Bolt	8
3/8" - HHSF Nut	4
3/8" - HXCL Nut	4
3/8" Flat Washer	4
5/16" - 18 x 3/4 HHSF Bolt	6
5/16" HHSF Nut	12
5/16" Flat Washer	2
5/16" Lock Washer	2
5/16" - 18 x 2 x 1 1/4 U-Bolt	4
#712610601	4
#711839001	4
#711838201	4
#711838901	2
#720944601	2

1. To Install fender mount drill 13/32" holes in fender at desired location so that the # 711838201 are on 40 to 54 inch centers, and sun shade can be centered over seat. Using 3/8" bolts, with flat washers, and lock nuts on back side of fender secure #711838201 to fender.
2. Secure #711839001 to #711838201 using 5/16" nuts and bolts as illustrated.
3. Secure #720944601 to #711839001 using 5/16 nut and U-bolts as illustrated.
4. Assemble but DO NOT tighten #711838901 to #720944601 using 5/16" bolt.
5. Bolt two #712610601 and #711838901 together using 3/8" x 1" HHSF bolts. Insert sun shade arm between the two brackets. Do not tighten bolts until sun shade arms are in place.
6. Place 3/8" x 1 1/2" CRG. Bolt, flat washer and tail nut in top hole of # 712610601. Tail nut goes to inside.
7. Tighten all hardware after Sun Shade is in desired location.  
48" Note: #720944601 and #711838901 may be adjusted and turned to centers for proper Sun Shade placement.



General Offices  
500 N. 81 Bypass  
McPherson, KS 67460  
Phone : (620) 241-3513



TAIL NUT

SUNSHADE ARM

5/16 BOLT

#712610601

3/8 HXS F NUT

3/8 CRG. BOLT

#711838901

#720944601

3/8 BOLT

U BOLT

#711838201

5/16 HXS F NUT

5/16 BOLT

#711839001

3/8 FLAT WASHER

5/16 HHS F NUT

3/8 HHCL NUT

THREAD CAP

# FEMCO

## INSTALLATION GUIDE

### 48" (2- PIECE) 3 BOW SUN SHADE

---

1. Insert two (2) 1/4"x1 1/4" bolts in lower holes of #712613001 (A). Lay on flat surface with threads up. ( see figure 2 on back of page.)
2. Place holes in #712613183 over bolts. (figure 2.)
3. Place vinyl washer on #712613183 tabs. Insert in lower center hole. (figure 2.)
4. Fasten #712613001 (B) using two (2) 1/4" lock nuts. (Do not fully tighten at this point.) Repeat steps 1-4 for opposite side. (figure 2.)
5. Assemble bows by inserting tapered end into open end. ( see figure 1.)
6. Insert bows in canopy. (For easy installation, coat tubes with dry lubricant.)  
NOTE: Short bow goes in center of canopy. ( figure 2.)
7. Align holes in bows with remaining holes in # 712603001 assembly. Fasten using 1/4"-20x 1 1/4" bolts and 1/4" lock nuts. (Do not over-tighten. Allow bolts to rotate.) ( figure 2.)
8. Tighten lower nuts securely.

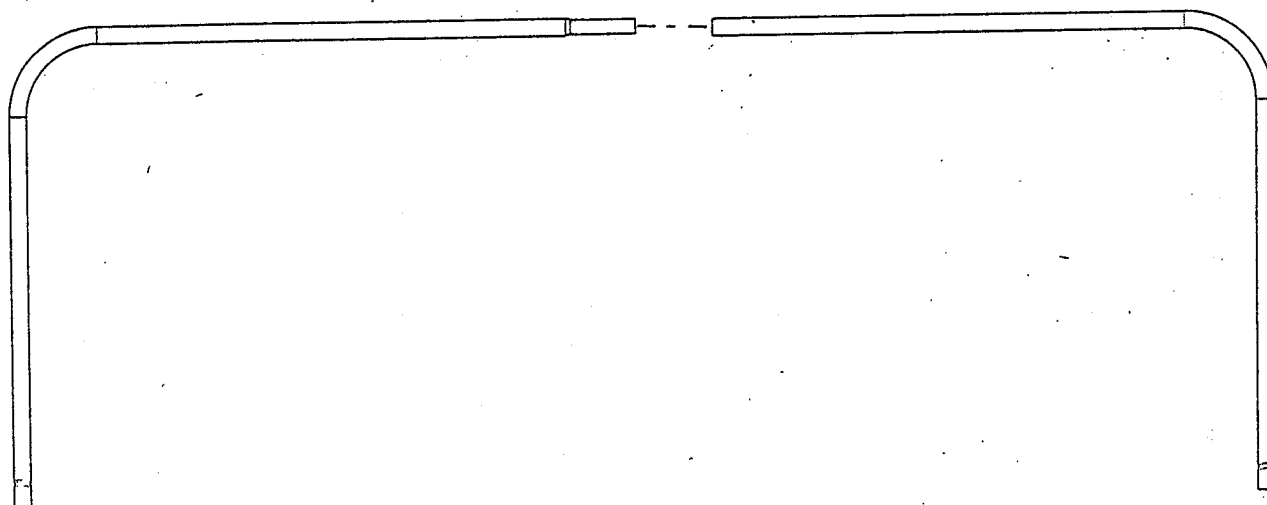


Figure 1.

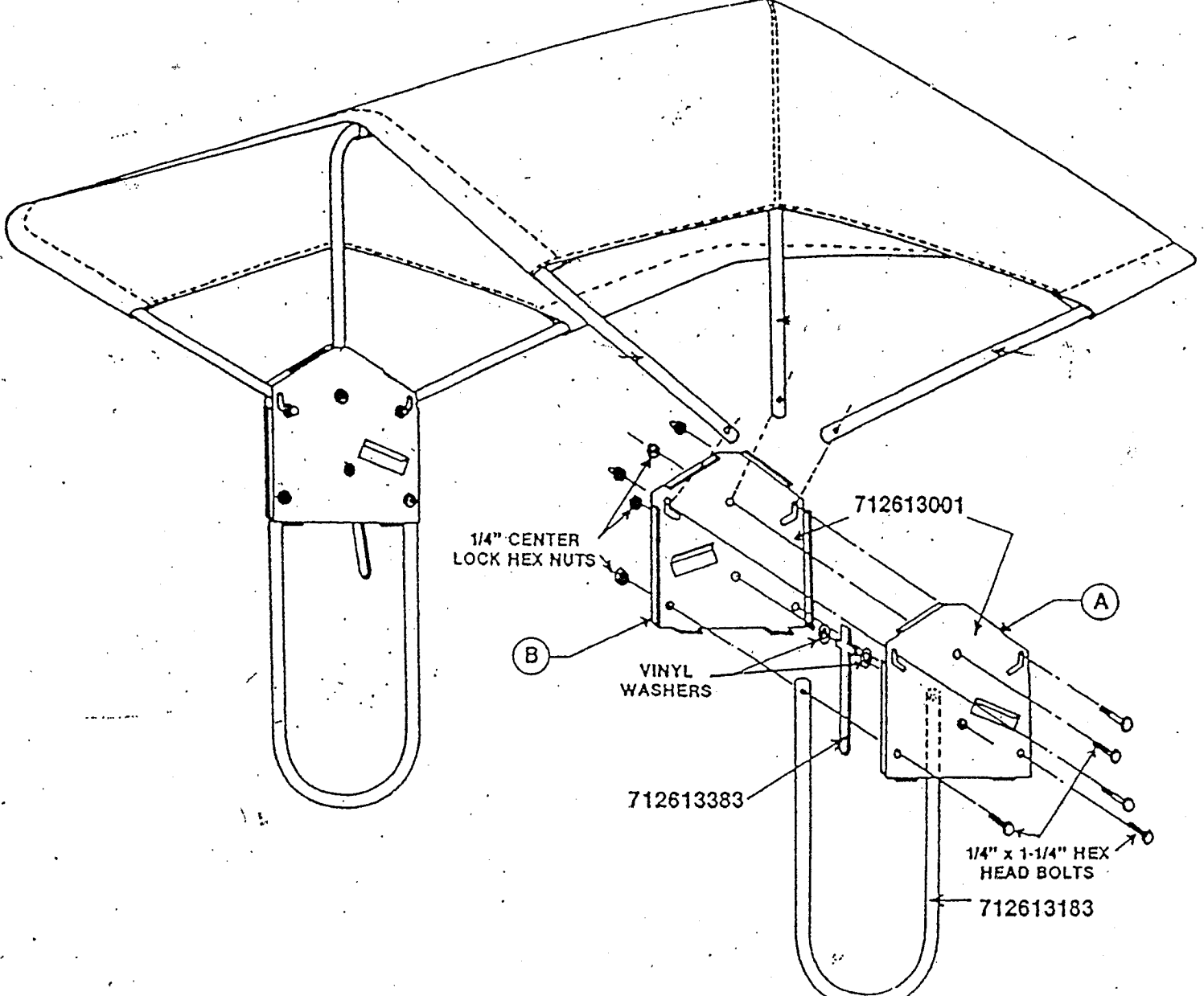


Figure 2